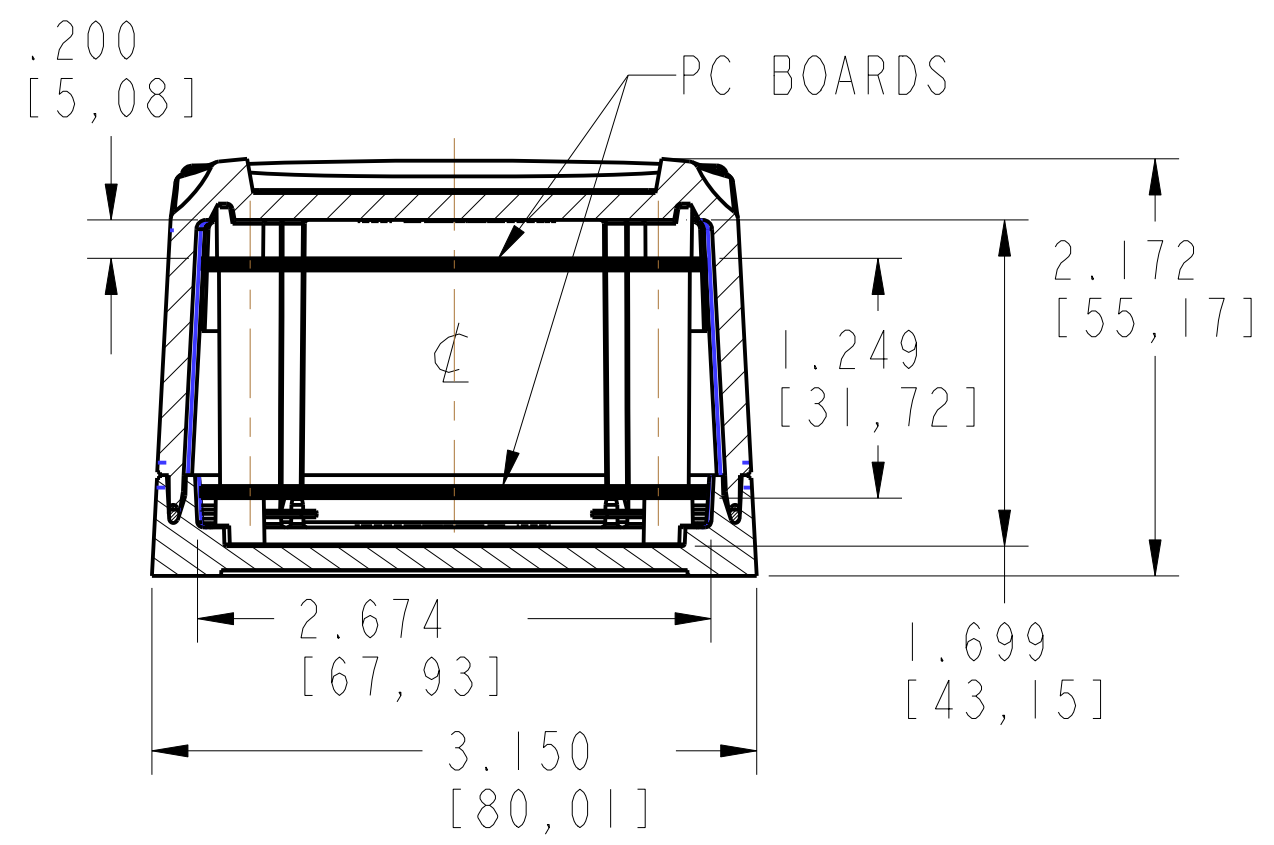
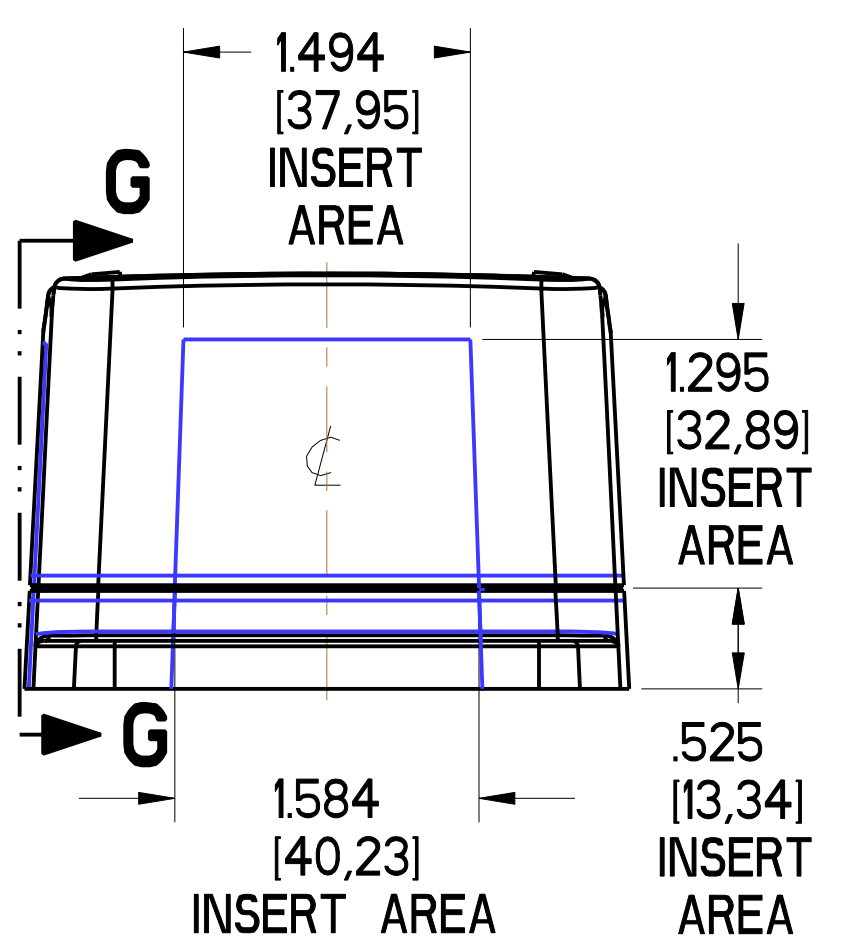
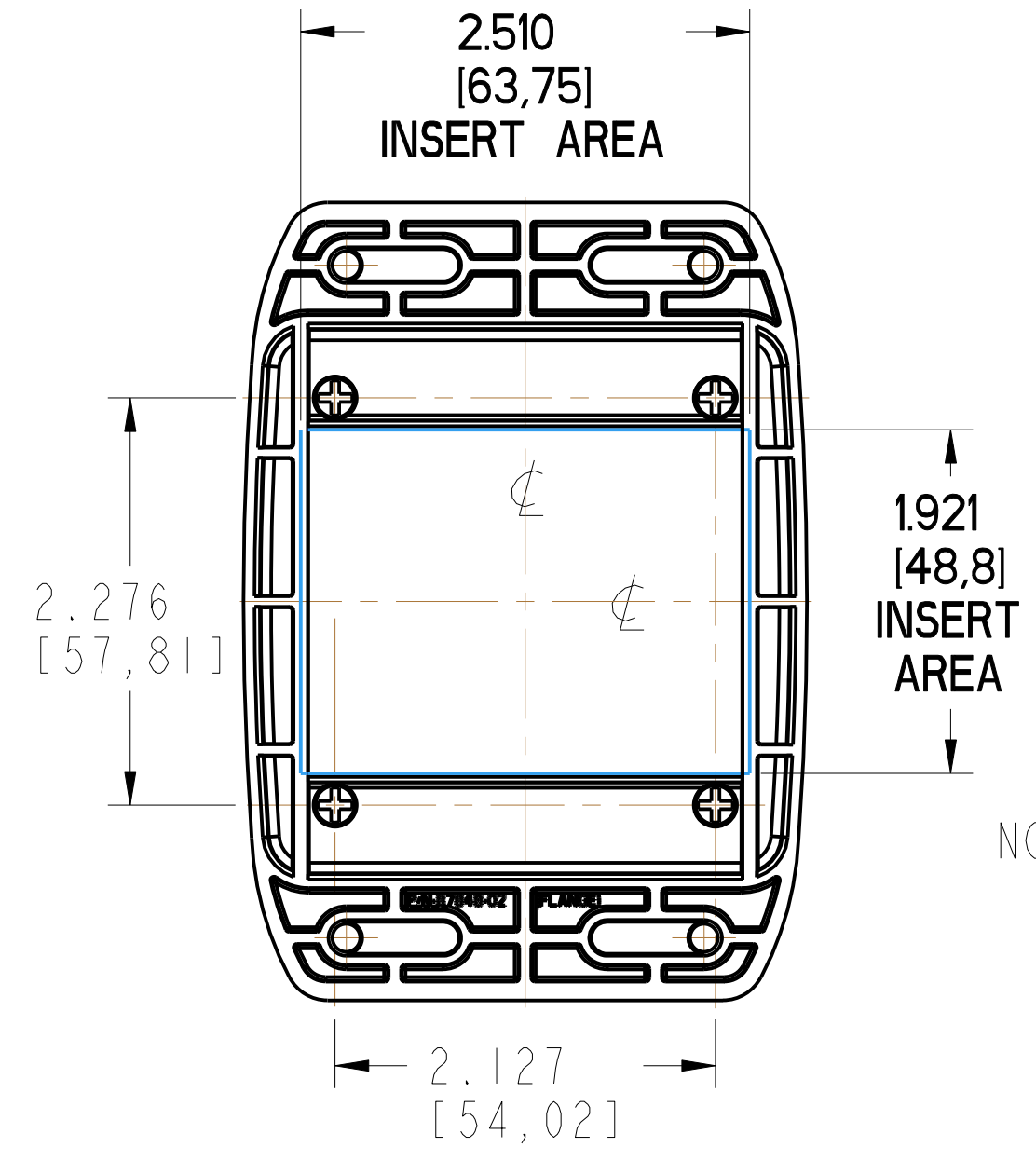


SECTION D-D

SECTION E-E



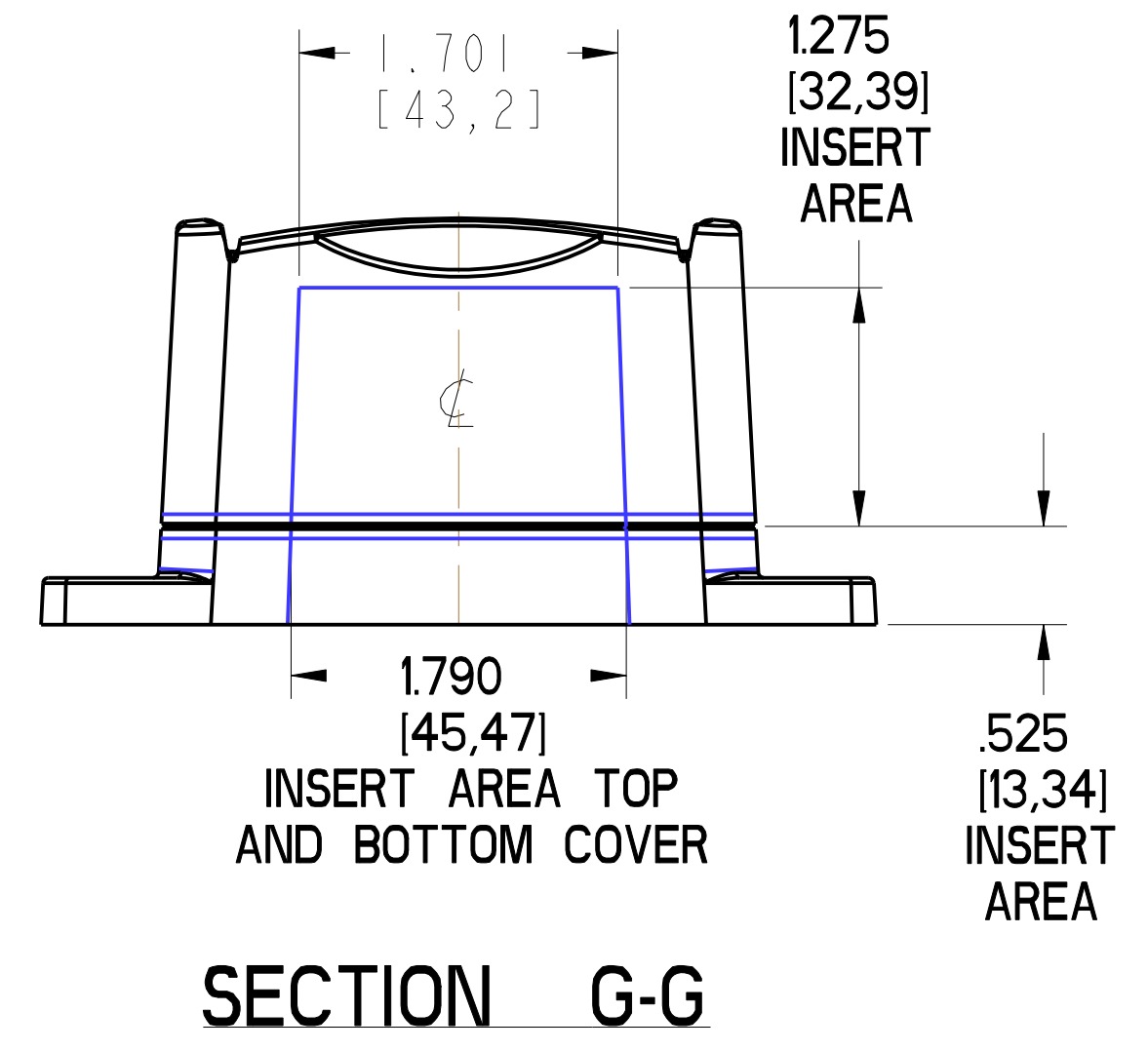
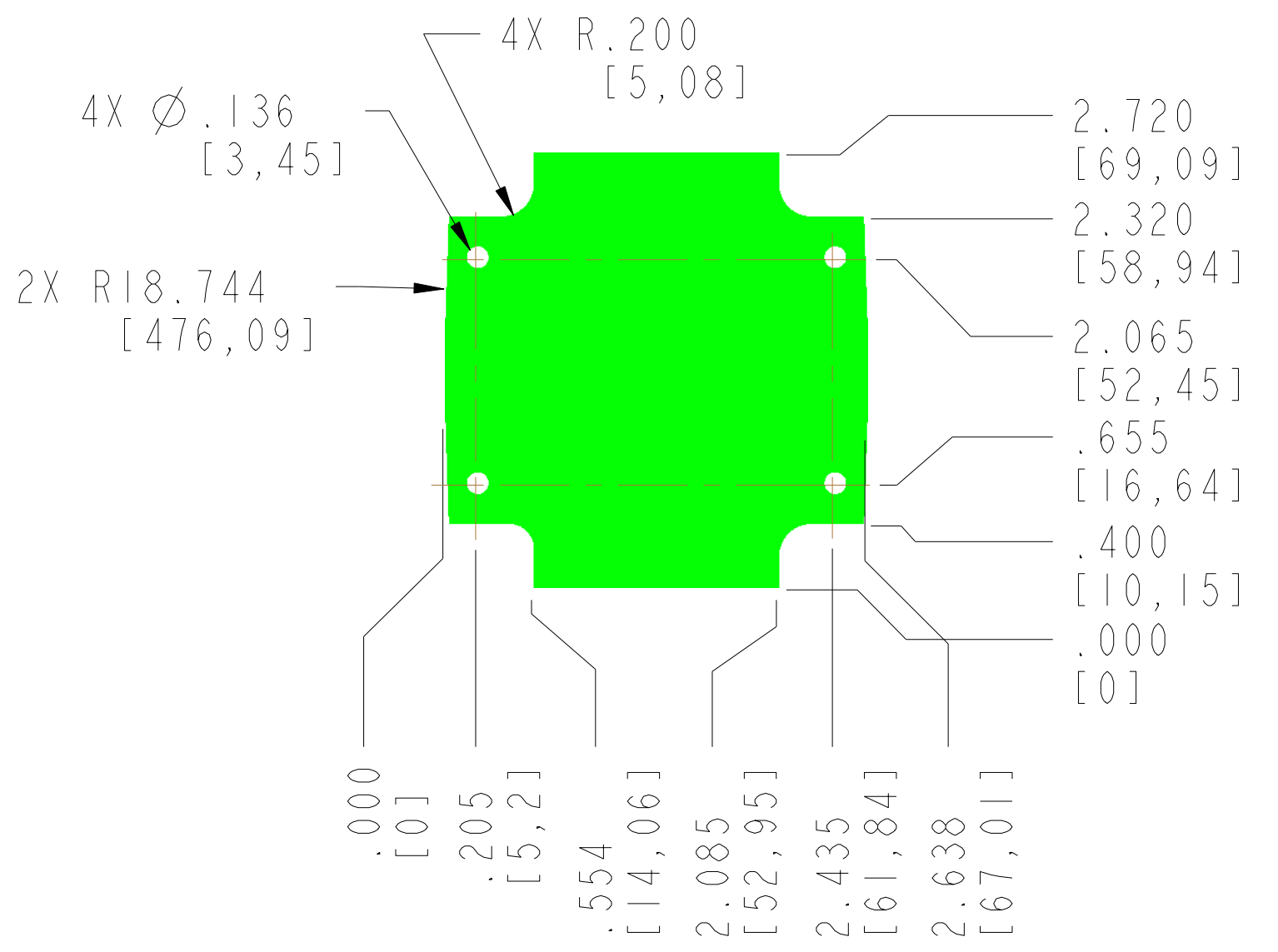
SECTION A-A



SECTION F-F

NOTES:

1. USE #4 TYPE "B" THREAD FORMING SCREWS X .25 [6,3] LONG TO MOUNT CIRCUIT CARD ASSEMBLY.
2. RECOMMENED ASSEMBLY SCREW TORQUE SETTING IS 5 INCH-POUNDS.
3. TO MAINTAIN IP67 RATING USE THE GASKET ONCE; IF OPENING UNIT TO SERVICE MUST REPLACE GASKET.
4. DRAWING SECTIONS B AND C NOT USED.



SECTION G-G

PC BOARD (TOP & BOTTOM COVERS)  
 MAX DIMENSIONS, .063 [1,6] TK

**PACINTEC**<sup>®</sup>  
 1-610-361-4231

**OD33-2.0**

VISIT **PACINTEC**<sup>®</sup>  
 ON THE WORLD WIDE WEB  
[www.pactecenclosures.com](http://www.pactecenclosures.com)

MATERIAL:  
 POLYCARBONATE (HB)  
 WITH UV STABILIZER

COLOR:  
 LIGHT GRAY #332

INSERT AREAS ARE SECTIONS IN OUR TOOLS  
 THAT CAN BE REMOVED AND REPLACED WITH  
 CUSTOMER SPECIFIC DETAILS

SCALE: 1/1

DRAWING NUMBER	REV
87849	B