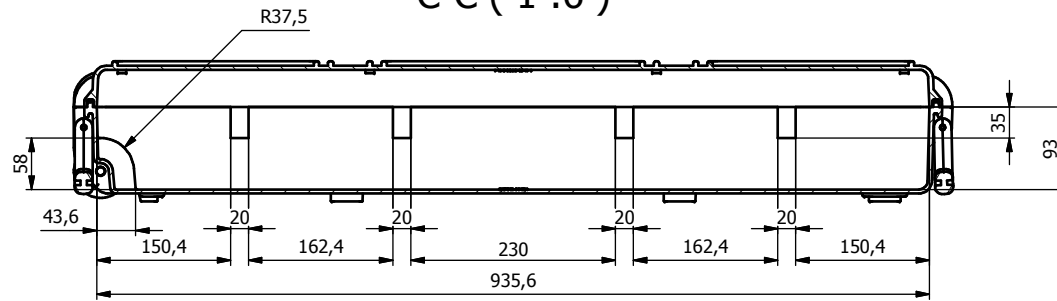
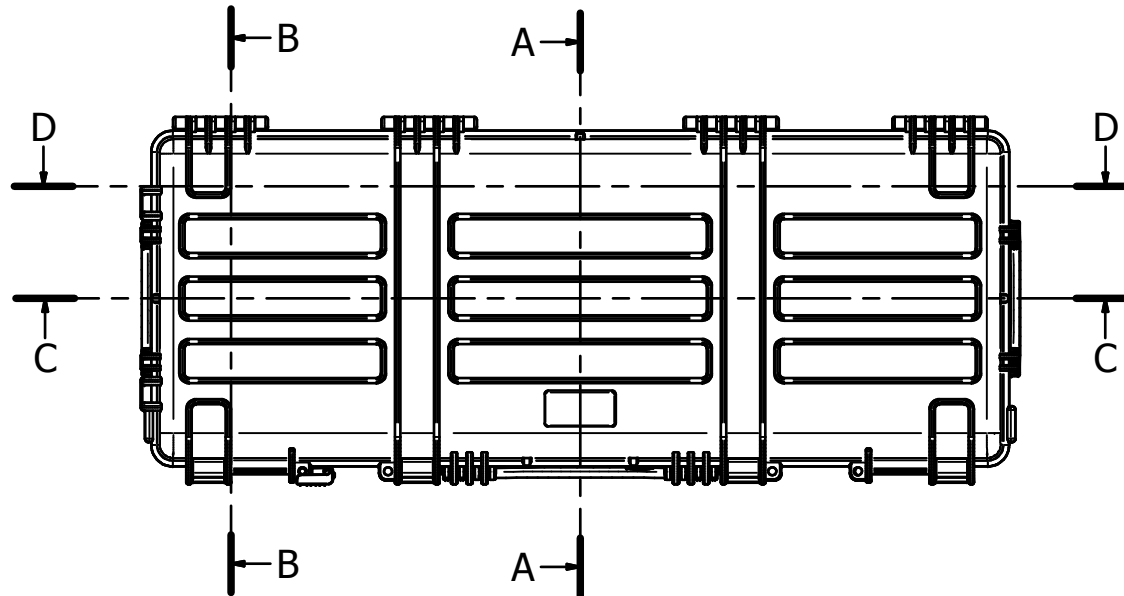
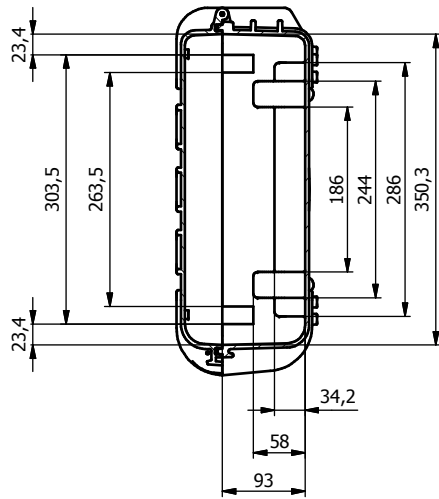


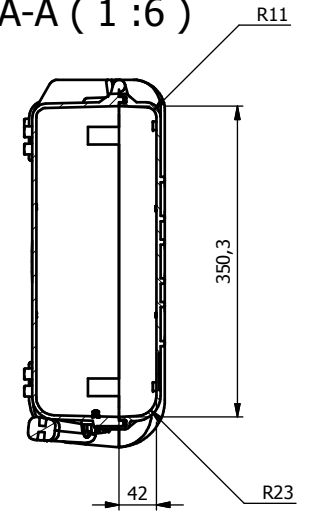
C-C (1 : 6)



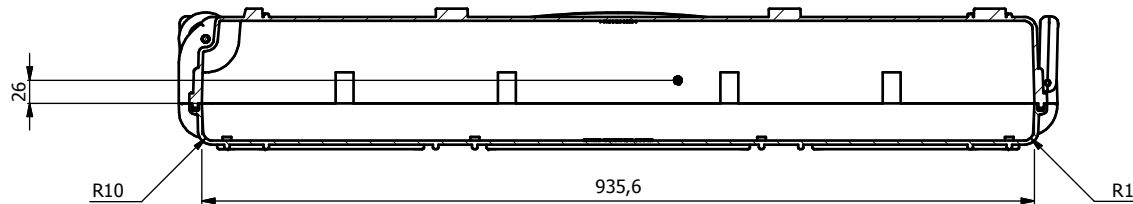
B-B (1 : 6)



A-A (1 : 6)



D-D (1 : 6)



Note					General Clearance			
					Scale	Size A3		
Material					Treatment		Color	
Designer	Check	Date	Replaced by	Date	Substitute the	Date		
					Description			
					File Name 9413			