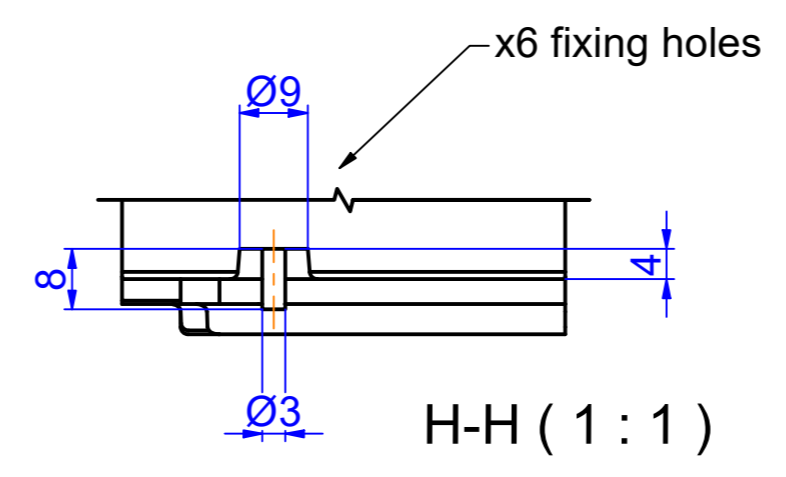
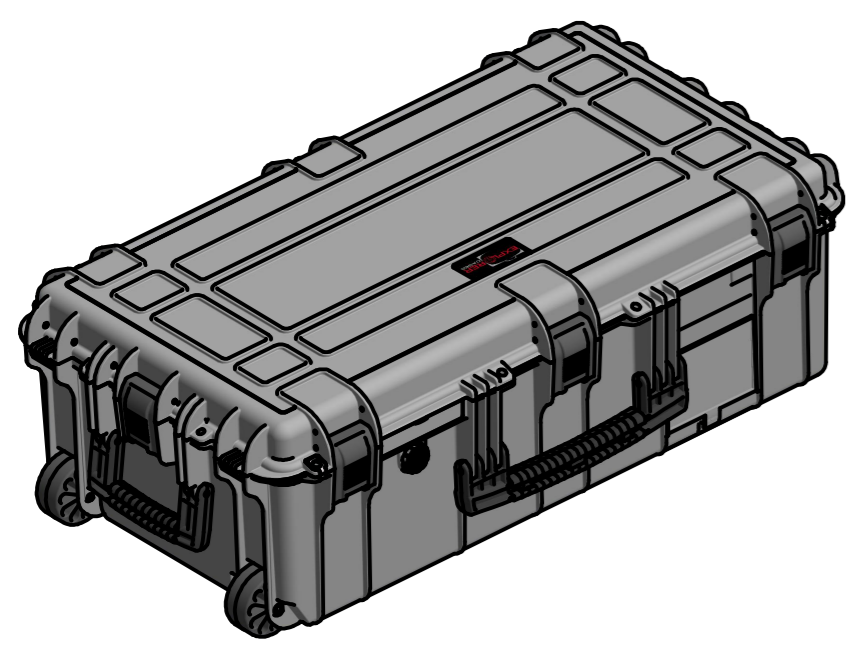
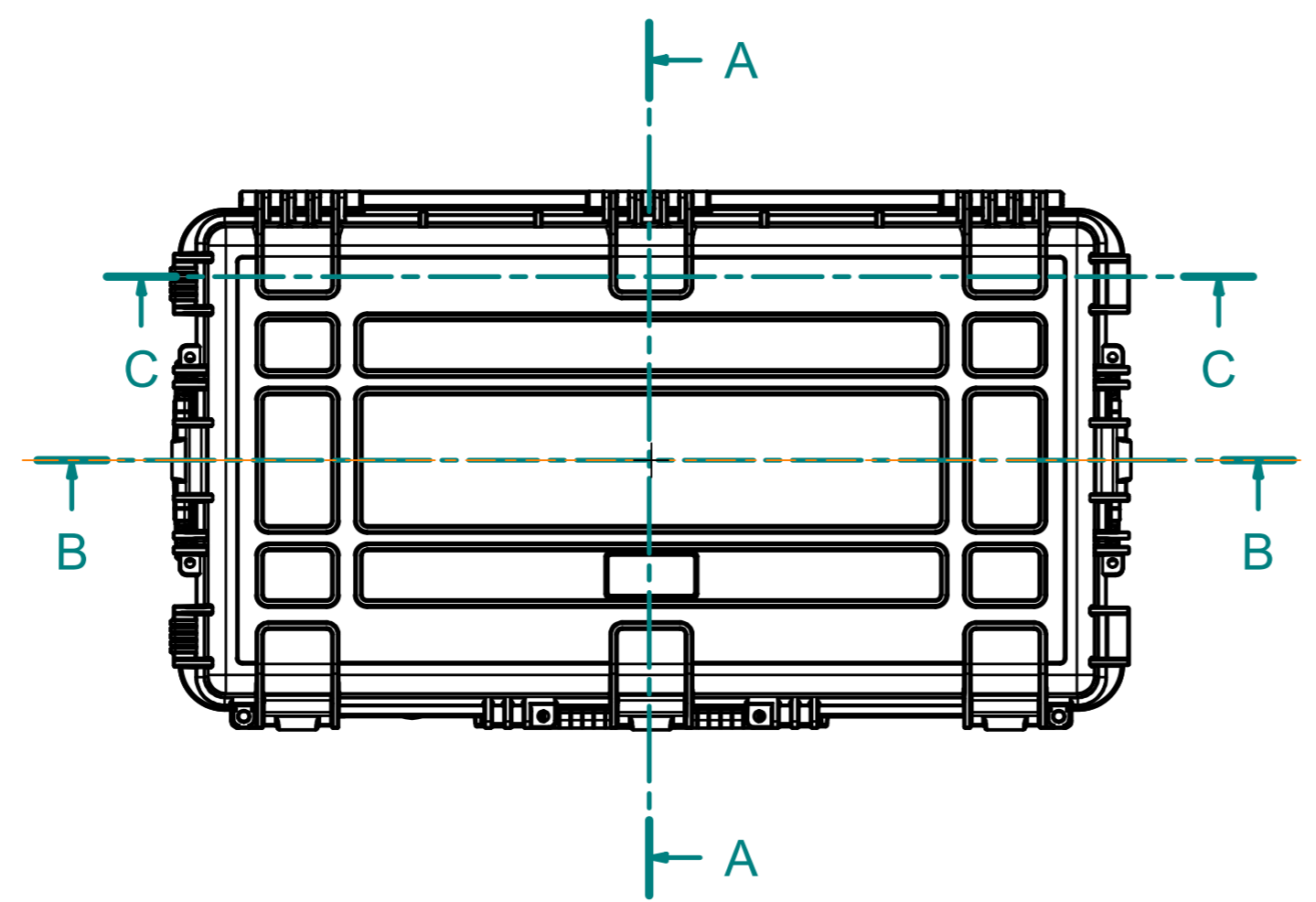
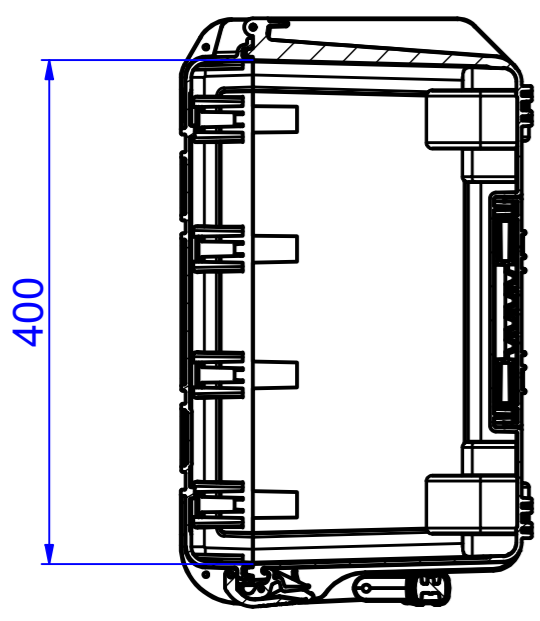


A-A (1:6)



EXPLORER CASES
 External dimension-general tolerance +/-1.5%
 GT Line - TechDept - All rights reserved

Note			Size		General Tolerance
ALL DIMENSIONS IN MM			A2		±0,1
			Scale		
			1:6		
Material		Treatment		Color	
Designer	Date	Check	Date	Replace by	Date
G. Leo	05/10/2023				
Description					
7626HL					
File Name					
7626HL		Revision			