



Series 25 Lok Tainer

WEIGHT

.97g/cm (.087 oz/in)

MATERIALS AND FINISH

HOUSING

Material:

.025-in. (.64-mm) thick Beryllium Copper per QQ-C-533 or .024-in. (.61-mm) thick Cold Rolled Steel per ASTM A-366

Finish:

See finish table on opposite page

CAM

Material:

Beryllium Copper per QQ-C-533

LEVER

Material:

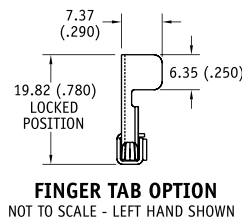
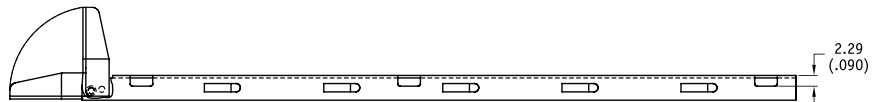
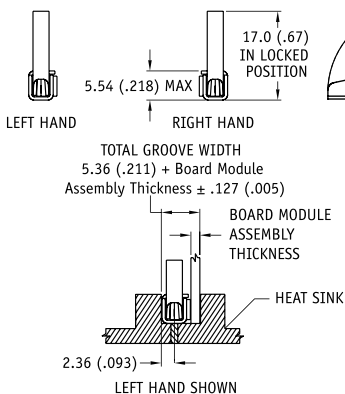
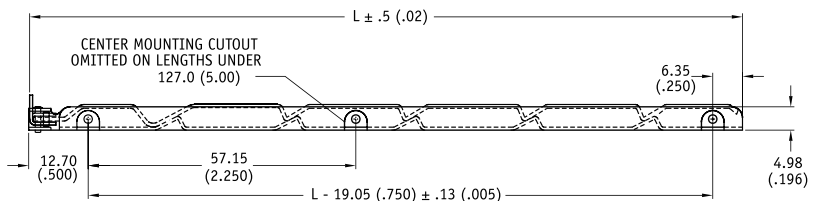
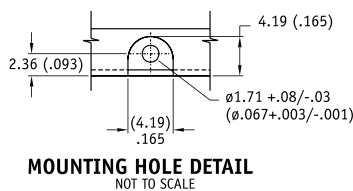
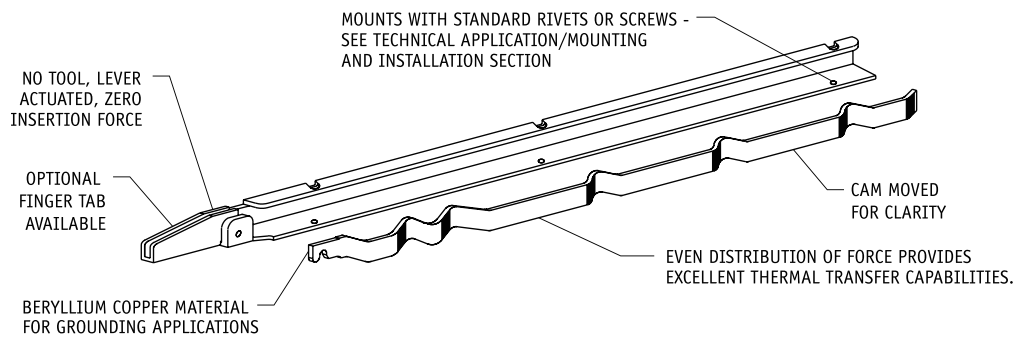
Cold Rolled Steel

per ASTM A-366

Note: Beryllium Copper lever furnished when housing is unplated

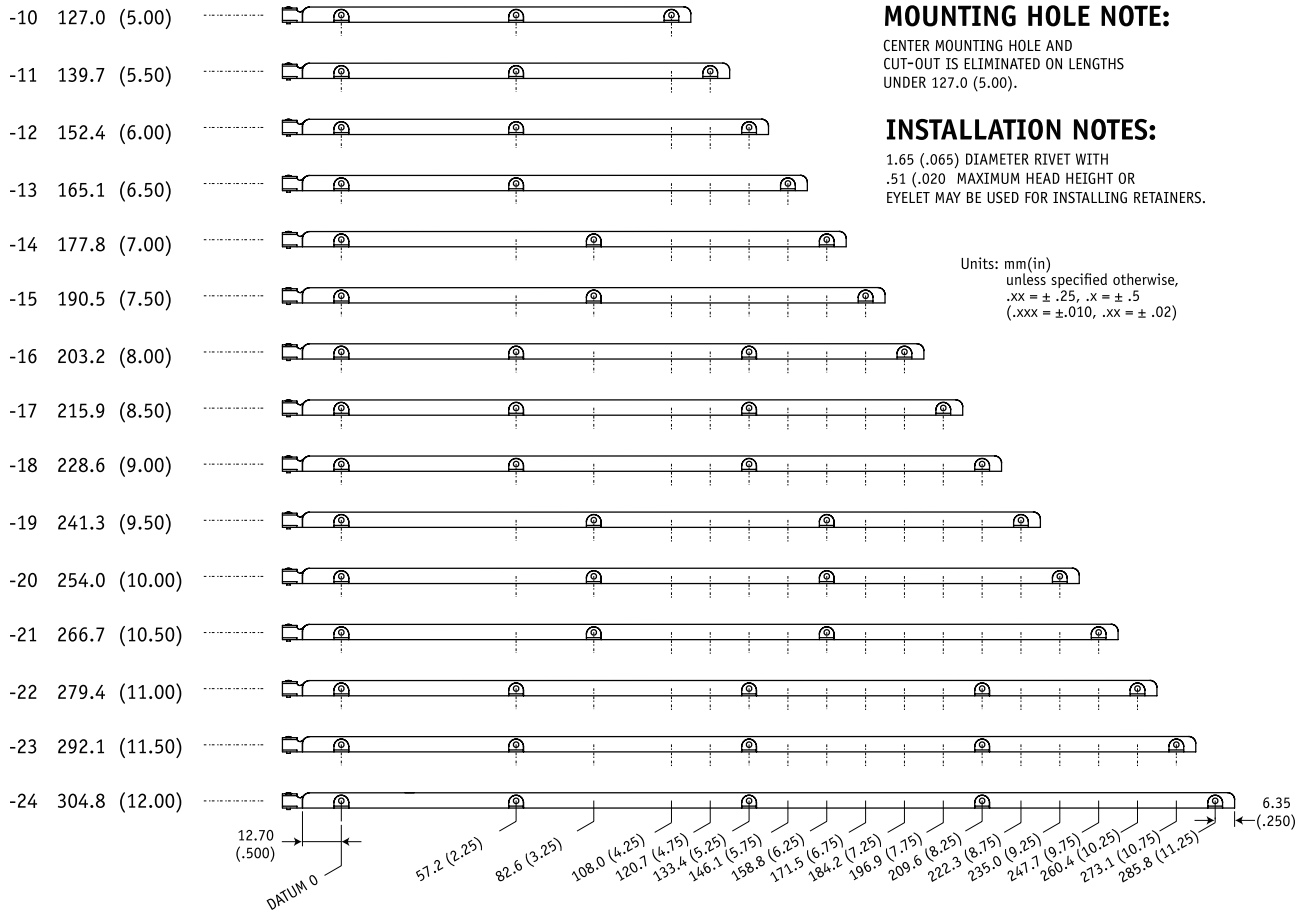
Finish:

See finish table on opposite page



Units: mm(in)
unless specified otherwise,
.xx = ± .25, .x = ± .5
(.xxx = ±.010, .xx = ± .02)

MOUNTING HOLE DIMENSIONS 25 SERIES



MOUNTING HOLE NOTE:

CENTER MOUNTING HOLE AND CUT-OUT IS ELIMINATED ON LENGTHS UNDER 127.0 (5.00).

INSTALLATION NOTES:

1.65 (.065) DIAMETER RIVET WITH .51 (.020) MAXIMUM HEAD HEIGHT OR EYELET MAY BE USED FOR INSTALLING RETAINERS.

Note: -6 [76.2 (3.00)] to -9 [114.3 (4.50)], mounting hole dims as per 12.70 (.500) datum and 6.35 (.250) Ref as noted above.

Part Number Code

Series 25 LOK-TAINER Lever Actuated

Z T 25 B-10-5-L

Finger Tab

Finger tab _____ T
None _____ [Blank]

Material

Beryllium Copper _____ B
or select from Materials Table

Length

Length in 12.7 (.50) increments _____ 6 [76.2 (3.00)]
_____ to 24 [304.8 (12.00)]

Finish

Gold Plate _____ 5
or select from Finish Table

Lever Action

Left hand _____ L
Right hand _____ R

Part Number Code example: T25B-12-4-L

Series 25 Lever Actuated LOK-TAINER, with Finger Tab option, Beryllium Copper housing, 6.00-in. (152.4-mm) long, copper plate finish, and left hand lever action.

MATERIALS TABLE

CODE LETTER	
B	BERYLLIUM COPPER, 1/4H PER ASTM-B-194
S	STEEL PER ASTM-A-366

FINISH TABLE

DASH #	
[blank]	SILVER PLATE PER QQ-S-365, TYPE III, GRADE A
-1	NONE
-2	EBANOL PER MIL-F-495 FOR BERYLLIUM COPPER PER MIL-C-13924 FOR STEEL
-3	CADMIUM PER QQ-P-416, TYPE 2, CLASS 2
-4	COPPER PLATE PER MIL-C-14550, CLASS 2
-5	GOLD PLATE PER MIL-G-45204, TYPE 1, GLASS 1
-6	NICKEL PLATE PER QQ-N-290, CLASS 1, GRADE G, BRIGHT
-7	ZINC PLATE CLEAR CHROMATE, PER ASTM-B-633, Fe/Zn 8
-8	ZINC PLATE YELLOW CHROMATE, PER ASTM-B-633, Fe/Zn 8
NOTE:	NO FINISH (-1) NOT AVAILBLE WITH "S" STEEL MATERIAL