



## WEIGHT

1.29g/cm (.116 oz/in)

## RECOMMENDED TORQUE

17.7 N-cm (25 in-oz)

## MATERIALS AND FINISH

### HOUSING

#### Material:

.025-in. (.64-mm) thick  
Beryllium Copper per QQ-C-533

#### Finish:

See finish table on opposite page

### CAM

#### Material:

Beryllium Copper per QQ-C-533

#### Finish:

See finish table on opposite page

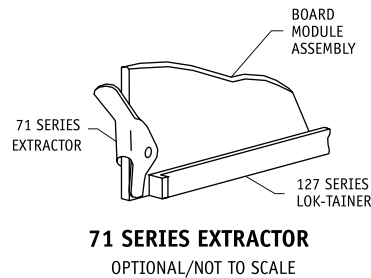
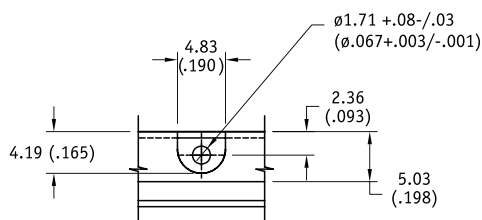
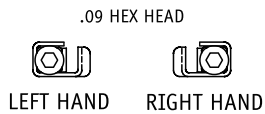
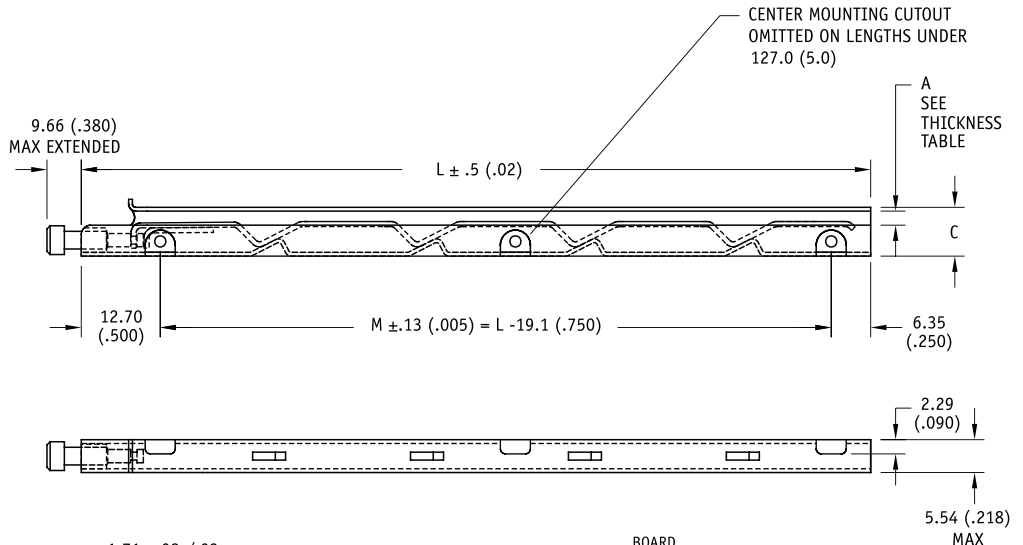
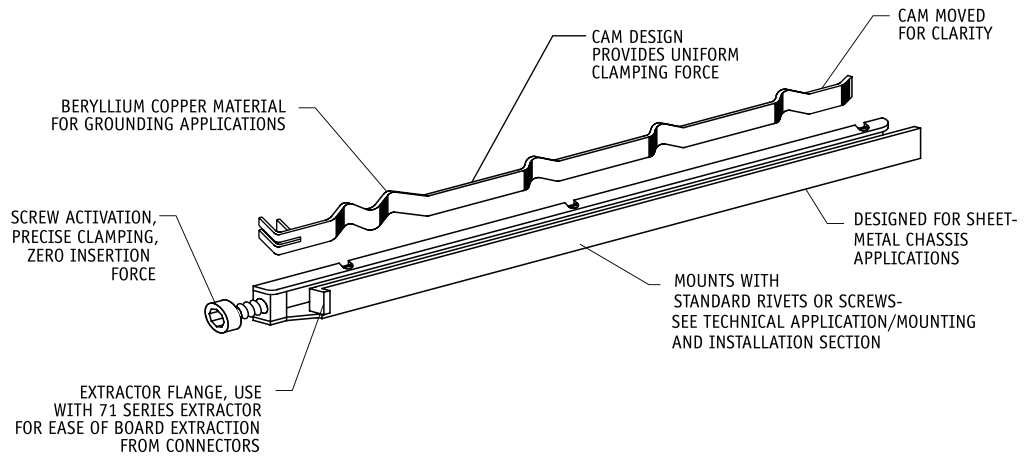
### SCREW

#### Material:

Stainless steel

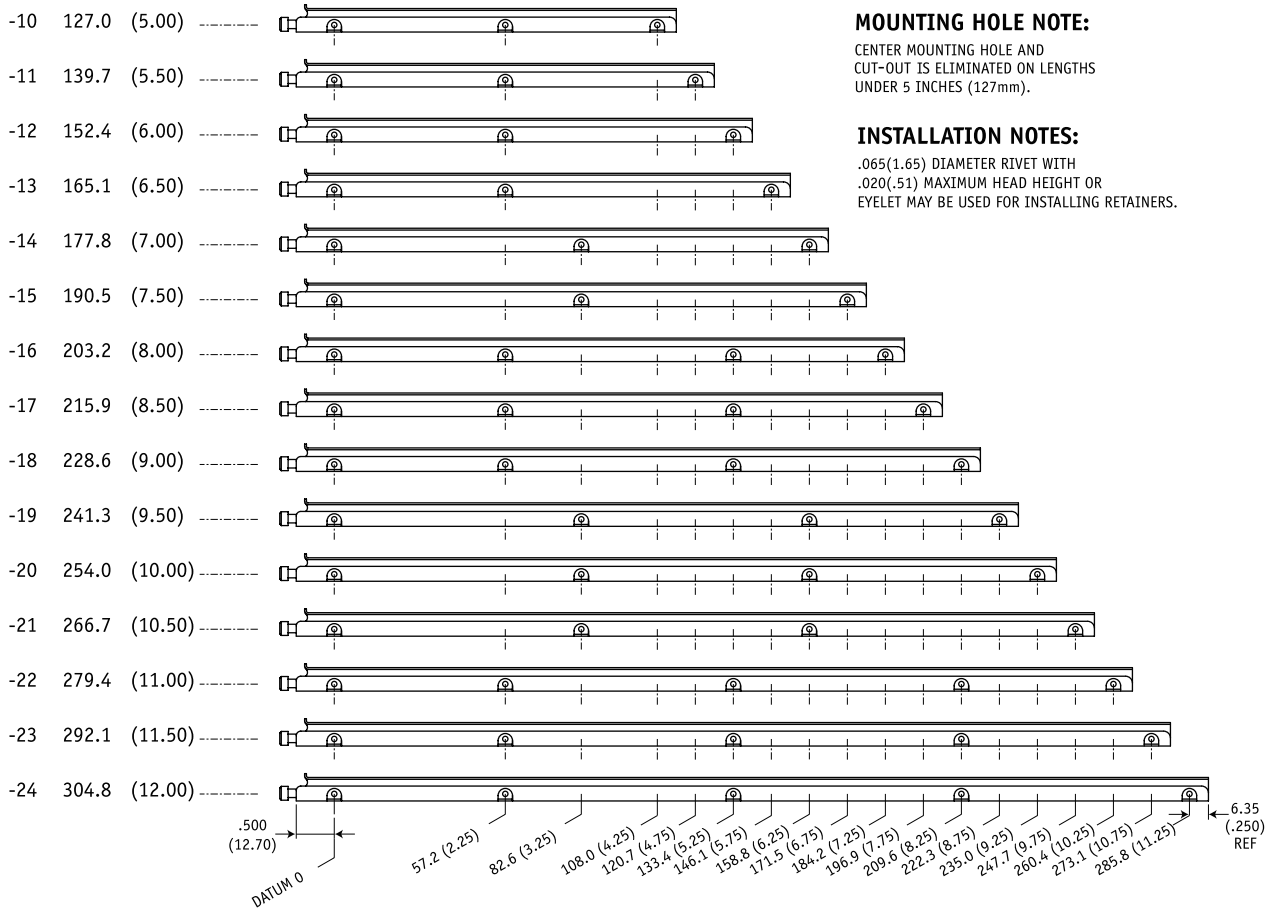
#### Finish:

Passivated



Units: mm(in)  
unless specified otherwise,  
.xx = ± .25, .x = ± .5  
(.xxx = ±.010, .xx = ± .02)

## MOUNTING HOLE DIMENSIONS



### Part Number Code

Series 127 LOK-TAINER Screw-Actuated **Z 127 - B - 2 - 10 - 5 - L**

#### Material

Beryllium Copper \_\_\_\_\_ **B**  
or select from Materials Table

#### Board Thickness

1.60 (.063) PCB Thickness \_\_\_\_\_ **2**  
or select from Board Thickness Table

#### Length

Length in 12.7 (.50) increments \_\_\_\_\_ **6** [76.2 (3.00)]  
to 24 [304.8 (12.00)]

#### Finish

Gold Plate \_\_\_\_\_ **5**  
or select from Finish Table

#### Screw Action

Left hand \_\_\_\_\_ **L**  
Right hand \_\_\_\_\_ **R**

### Part Number Code example: 127B-4-12-6-R

Series 127 Screw-actuated LOK-TAINER, Beryllium Copper housing with flange, 152.4-mm (6.00-in.) long, Nickel plate finish, and right hand screw action.

### MATERIALS TABLE

#### CODE

#### LETTER

**B** BERYLLIUM COPPER, 1/4H PER ASTM-B-194  
**S** STEEL PER ASTM-A-366

### BOARD THICKNESS TABLE

DASH #	BOARD THICKNESS		
	A MIN	A MAX	C
-2	.025 (0.64)	.070 (1.78)	.309 (7.85)
-4	.087 (2.21)	.132 (3.36)	.376 (9.55)

### FINISH TABLE

#### DASH #

[blank] SILVER PLATE PER QQ-S-365, TYPE III, GRADE A  
-1 NONE  
-2 EBANOL PER MIL-F-495 FOR BERYLLIUM COPPER PER MIL-C-13924 FOR STEEL  
-3 CADMIUM PER QQ-P-416, TYPE 2, CLASS 2  
-4 COPPER PLATE PER MIL-C-14550, CLASS 2  
-5 GOLD PLATE PER MIL-G-45204, TYPE 1, GLASS 1  
-6 NICKEL PLATE PER QQ-N-290, CLASS 1, GRADE G, BRIGHT  
-7 ZINC PLATE CLEAR CHROMATE, PER ASTM-B-633, Fe/Zn 8  
-8 ZINC PLATE YELLOW CHROMATE, PER ASTM-B-633, Fe/Zn 8  
NOTE: NO FINISH (-1) NOT AVAILBLE WITH "S" STEEL MATERIAL