

Series 29 Lok Tainer

WEIGHT

.97g/cm (.087 oz/in)

RECOMMENDED TORQUE

17.7 N-cm (25 in-oz)

MATERIALS AND FINISH

HOUSING

Material:

.025-in. (.64-mm) thick
Beryllium Copper per QQ-
C-533 or

.024-in. (.61-mm) thick
Cold Rolled Steel per
ASTM A-366

Finish:

See finish table on
opposite page

CAM

Material:

Beryllium Copper per QQ-
C-533

Finish:

See finish table on
opposite page

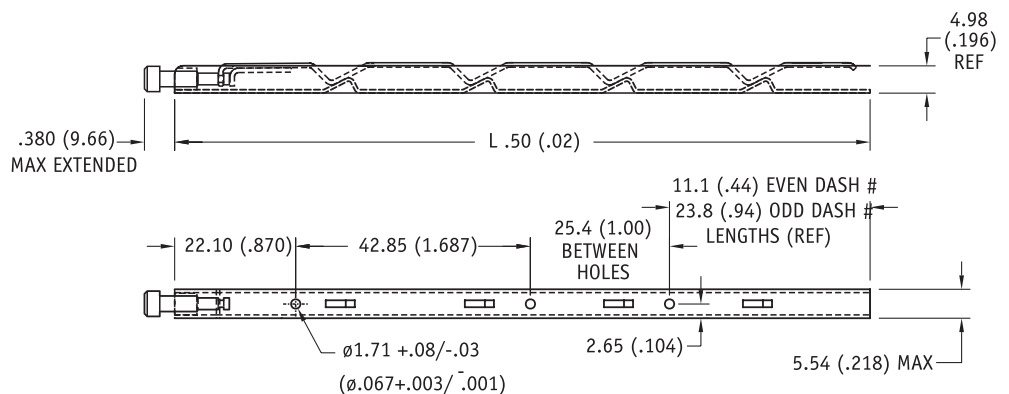
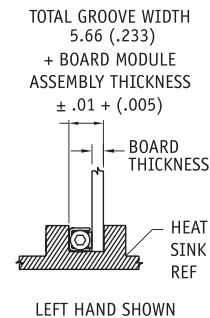
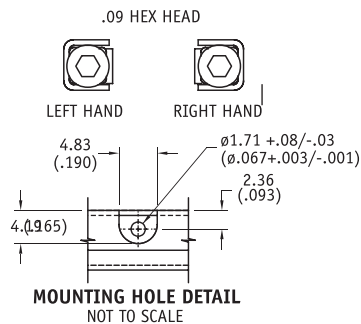
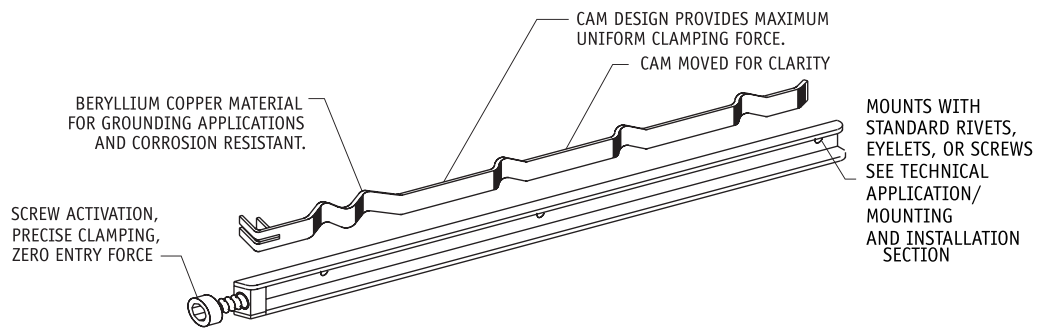
SCREW

Material:

Stainless steel

Finish:

Passivated



MATERIALS TABLE

CODE LETTER	
B	BERYLLIUM COPPER, 1/4H PER ASTM-B-194
S	STEEL PER ASTM-A-366

FINISH TABLE

DASH #	
[blank]	SILVER PLATE PER QQ-S-365, TYPE III, GRADE A
-1	NONE
-2	EBANOL PER MIL-F-495 FOR BERYLLIUM COPPER PER MIL-C-13924 FOR STEEL
-3	CADMIUM PER QQ-P-416, TYPE 2, CLASS 2
-4	COPPER PLATE PER MIL-C-14550, CLASS 2
-5	GOLD PLATE PER MIL-G-45204, TYPE 1, GLASS 1
-6	NICKEL PLATE PER QQ-N-290, CLASS 1, GRADE G, BRIGHT
-7	ZINC PLATE CLEAR CHROMATE, PER ASTM-B-633, Fe/Zn 8
-8	ZINC PLATE YELLOW CHROMATE, PER ASTM-B-633, Fe/Zn 8
NOTE:	NO FINISH (-1) NOT AVAILBLE WITH "S" STEEL MATERIAL

Part Number Code	
Series 29 LOK-TAINER Screw-Actuated ZB-29 B - 10 - 5	
Housing Material	
Beryllium Copper _____	B
or select from Materials Table	
Length	
Length in 12.7 (.500) increments _____	6 [76.2 (3.00)]
	to 24 [304.8 (12.00)]
Finish	
Gold Plate _____	5
or select from Finish Table	

Part Number Code example: 29B-12-6

Series 29 Screw-actuated LOK-TAINER, Beryllium Copper housing, 152.4-mm (6.00-in.) long, nickel plate finish