



WEIGHT

0.37 g/cm (.033 oz./in.)

MATERIALS AND FINISH

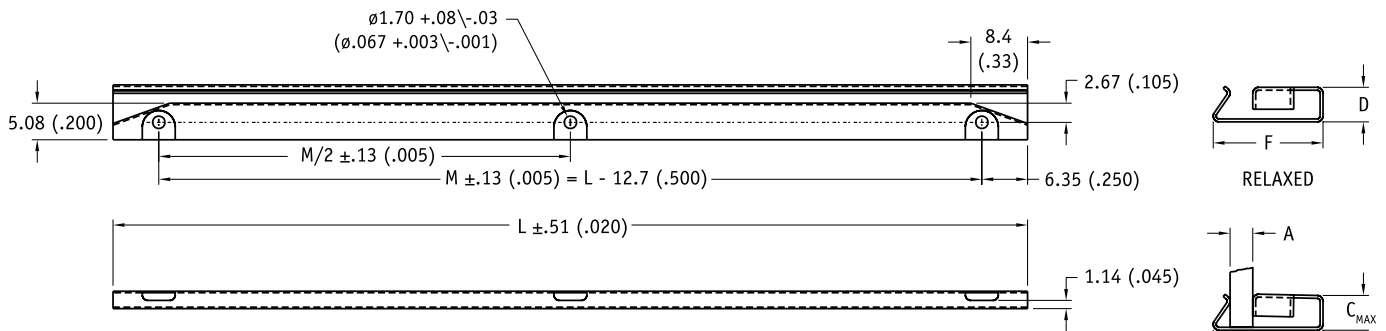
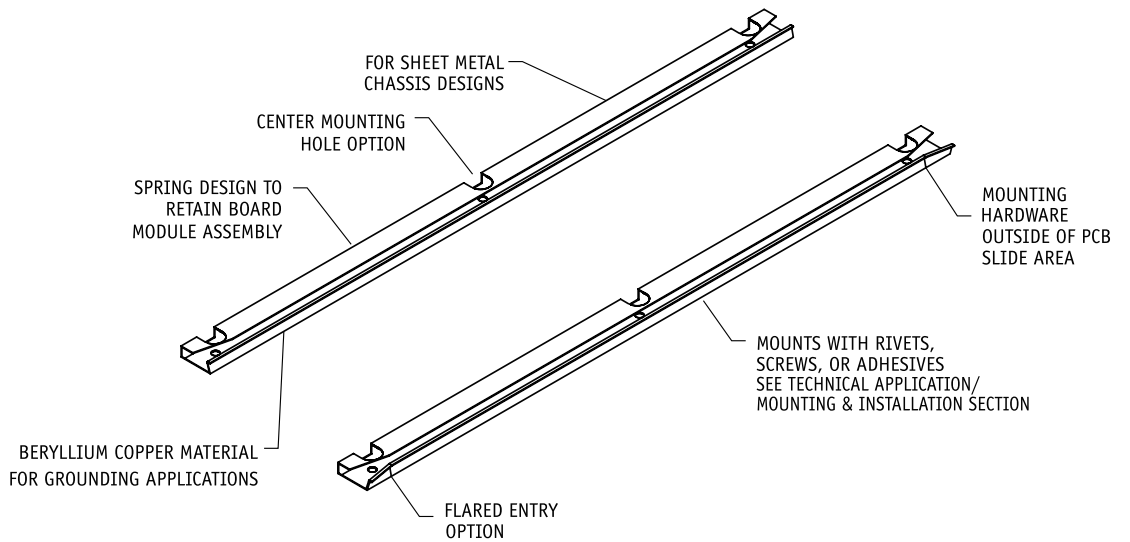
HOUSING

Material:

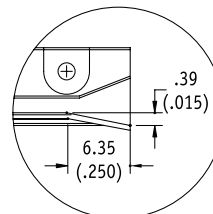
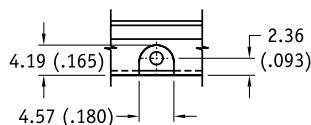
.13 (.005) Beryllium Copper per ASTM B-194 or Stainless Steel per Mil-S-5059

Finish:

See finish table on opposite page



Units: mm(in)
unless specified otherwise,
.xx = ± .25, .x = ± .5
(.xxx = ± .010, .xx = ± .02)



CENTER MOUNTING HOLE OPTION DETAIL

FLARED ENTRY OPTION DETAIL

MATERIALS TABLE

CODE LETTER	MATERIAL
B	BERYLLIUM COPPER, 1/4H PER ASTM-B-194
BH	BERYLLIUM COPPER, 1/4HT PER QQ-C-533, HEAT TREATED
CR	STAINLESS STEEL, TYPE 301 COND 1/4 H PER AMS 5517

FINISH TABLE

DASH #	FINISH
[blank]	SILVER PLATE PER QQ-S-365, TYPE III, GRADE A
-1	NONE
-2	EBANOL PER MIL-F-495 FOR BERYLLIUM COPPER PER MIL-C-13924 FOR STEEL
-3	CADMIUM PER QQ-P-416, TYPE 2, CLASS 2
-4	COPPER PLATE PER MIL-C-14550, CLASS 2
-5	GOLD PLATE PER MIL-G-45204, TYPE 1, GLASS 1
-6	NICKEL PLATE PER QQ-N-290, CLASS 1, GRADE G, BRIGHT
-7	ZINC PLATE CLEAR CHROMATE, PER ASTM-B-633, Fe/Zn 8
-8	ZINC PLATE YELLOW CHROMATE, PER ASTM-B-633, Fe/Zn 8

DIMENSION TABLE

DASH #	BOARD THICKNESS				
	A	C MAX	D	E MAX	F
-1	.79 (.031)	2.49 (.098)	2.41 (.095)	7.75 (.305)	7.62 (.300)
-2	1.60 (.063)	2.49 (.098)	2.41 (.095)	7.75 (.305)	7.62 (.300)
-3	2.36 (.093)	2.49 (.098)	2.41 (.095)	7.75 (.305)	7.62 (.300)
-24	.61/.74 (.024/.029)	2.49 (.098)	2.41 (.095)	7.75 (.305)	7.62 (.300)
-30	.76/.89 (.030/.035)	2.49 (.098)	2.41 (.095)	7.75 (.305)	7.62 (.300)
-36	.91/1.02 (.036/.040)	2.49 (.098)	2.41 (.095)	7.75 (.305)	7.62 (.300)
-55	1.40/1.52 (.055/.060)	2.49 (.098)	2.41 (.095)	7.75 (.305)	7.62 (.300)
-61	1.55/1.68 (.061/.066)	2.49 (.098)	2.41 (.095)	7.75 (.305)	7.62 (.300)
-67	1.70/1.80 (.067/.071)	2.49 (.098)	2.41 (.095)	7.75 (.305)	7.62 (.300)
-73	1.85/1.98 (.073/.078)	2.49 (.098)	2.41 (.095)	7.75 (.305)	7.62 (.300)
-79	2.01/2.13 (.079/.084)	2.49 (.098)	2.41 (.095)	7.75 (.305)	7.62 (.300)
-83	2.11/2.24 (.083/.088)	2.49 (.098)	2.41 (.095)	7.75 (.305)	7.62 (.300)
-85	2.16/2.21 (.085/.087)	2.49 (.098)	2.41 (.095)	7.75 (.305)	7.62 (.300)
-88	2.24/2.36 (.088/.093)	2.49 (.098)	2.41 (.095)	7.75 (.305)	7.62 (.300)
-94	2.39/2.46 (.094/.097)	2.49 (.098)	2.41 (.095)	7.75 (.305)	7.62 (.300)

Part Number Code

Series 35-8 Low Profile VME PCB-TAINER **ZB-35 C F - 8 B - 2 - 10 - 5**

Center Mounting Hole:
Center Mounting Hole: _____ **C**
None: _____ **[Blank]**

Flared Entry
Flared Entry: _____ **F**
None: _____ **[Blank]**

Material
Beryllium Copper _____ **B**
or select from Materials Table

Board Thickness
1.59 (.063) PCB Thickness _____ **2**
or select from Dimension Table

Length
Length in 12.7 (.50) increments _____ 2 [25.4 (1.00)]
_____ to 12 [152.4 (6.00)]

Finish
Gold Plate _____ **5**
or select from Finish Table

No dash number required for CR material. Stainless steel parts are passivated only.

Part Number Code example: 35-8B-61-10-6

35 Series PCB-TAINER, Beryllium Copper, for 1.55/1.68-mm (.061/.066-in.) board thickness range, 127.0-mm (5.00-in.) long, Nickel Plate finish.