

# Series 71 Aluminum Extractor



## MATERIALS AND FINISH

### Material:

6061-T6 Aluminum alloy per QQ-A-250/8

### Finish:

Customer specified

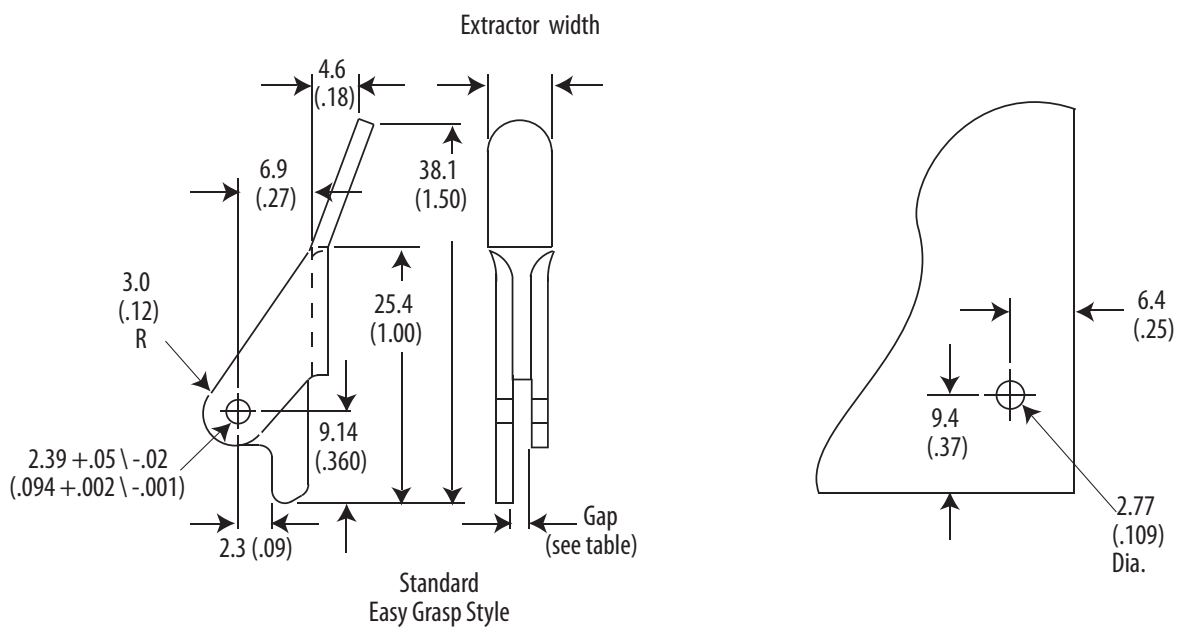
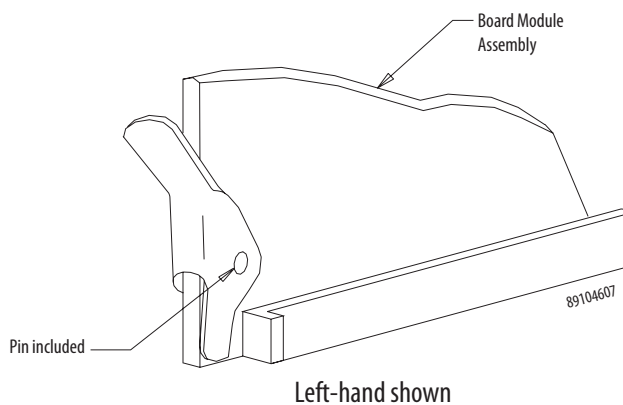
## WEIGHT

Aluminum: .05 oz. (1.42 g)

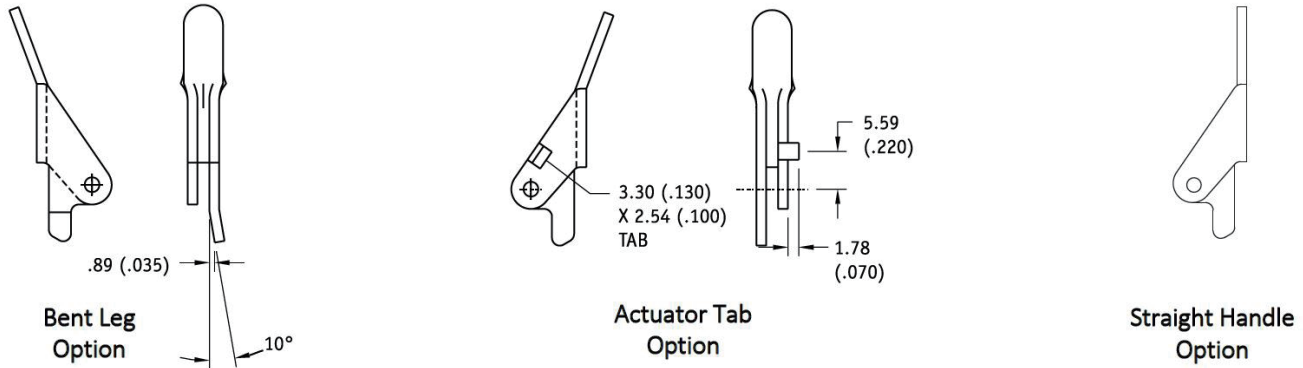
Stainless Steel: .15 oz. (4.25 g)

## APPLICATION DATA

Two (2) extractors are recommended per board. (One "L" and one "R" per printed circuit board). Provides extraction travel of 11.4 (.45) minimum, with a mechanical advantage of 4.5:1



# Series 71 Aluminum Extractor



The bent leg option is required when using the extractor with Lok Tainers for PCB retention within sheet metal (non-cold wall) applications. Additionally, if using a lever actuated Lok Tainer, the actuator tab will work in conjunction with the lever to release the PCB.

Part Number Code	
<b>Series 71 Extractor</b>	
	<b>Z P S 71 T6 - 2 - L - A - CC - BL - E</b>
<b>Assembly Pin</b>	
Pre assembled _____ <b>P</b>	
Loose _____ <b>[blank]</b>	
<b>Handle</b>	
Straight _____ <b>S</b>	
Bent (easy grip) _____ <b>[blank]</b>	
<b>Material</b>	
6061 Aluminum Alloy _____ <b>T6</b>	
Or select from Materials Table	
<b>Board Thickness</b>	
1.6 (.063) _____ <b>2</b>	
Or choose from the Board Thickness Table	
<b>Orientation</b>	
Left _____ <b>L</b>	
Right _____ <b>R</b>	
<b>Actuator Tab option</b>	
With actuator tab (for use with Lever LokTainers) _____ <b>A</b>	
No tab _____ <b>[blank]</b>	
<b>Finish</b>	
Clear chem film _____ <b>CC</b>	
Or choose from Finish Table	
<b>Leg Option</b>	
Bent (for compatibility with Lok Tainers) _____ <b>BL</b>	
No bent leg _____ <b>[blank]</b>	
<b>ESD Symbol</b>	
ESD silkscreen _____ <b>E</b>	
No ESD symbol _____ <b>[blank]</b>	

## MATERIALS TABLE

DASH #	MATERIAL
[blank]	.063 ALUMINUM ALLOY 5052-H32 PER QQ-A-250/8
T6	.063 ALUMINUM ALLOY 6061-T6
CR	.063 STAINLESS STEEL

## BOARD THICKNESS TABLE

DASH #	THICKNESS	A	MAX
-1	0.787 (.031)	6.35 (.25)	6.60 (.26)
-2	1.600 (.063)	6.35 (.25)	7.37 (.29)
-3	2.390 (.094)	6.35 (.25)	7.37 (.29)
-4	3.180 (.125)	7.37 (.29)	8.38 (.33)
-5	3.960 (.156)	7.37 (.29)	8.38 (.33)

## FINISH TABLE

DASH #	FINISH	COLOR
-1	ANODIZE PER MIL-A-8625	RED
-2	ANODIZE PER MIL-A-8625	BLUE
-3	ANODIZE PER MIL-A-8625	GREEN
-4	ANODIZE PER MIL-A-8625	YELLOW
-5	ANODIZE PER MIL-A-8625	BLACK
-6	ANODIZE PER MIL-A-8625	ORANGE
-7	ANODIZE PER MIL-A-8625	PURPLE
-8	ANODIZE PER MIL-A-8625	GRAY
-9	ANODIZE PER MIL-A-8625	BROWN
-10	ANODIZE PER MIL-A-8625	CLEAR
-CC	CHEM FILM PER MIL-C-5541	CLEAR
[blank]	CHEM FILM PER MIL-C-5541	GOLD