



WEIGHT

0.14 g/cm (.012 oz./in.)

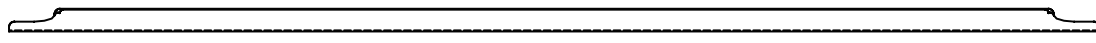
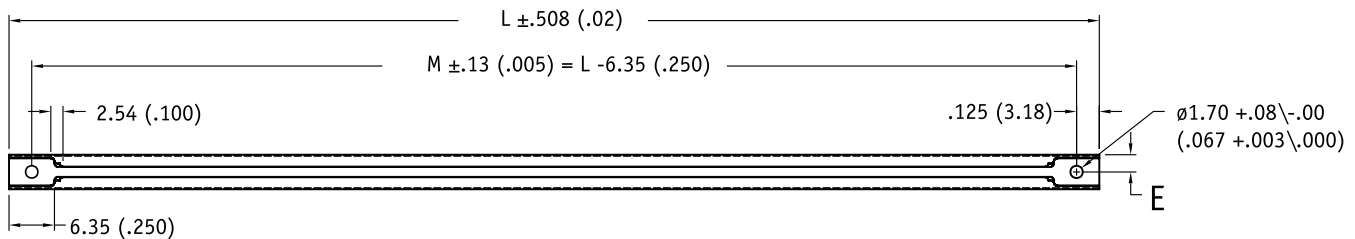
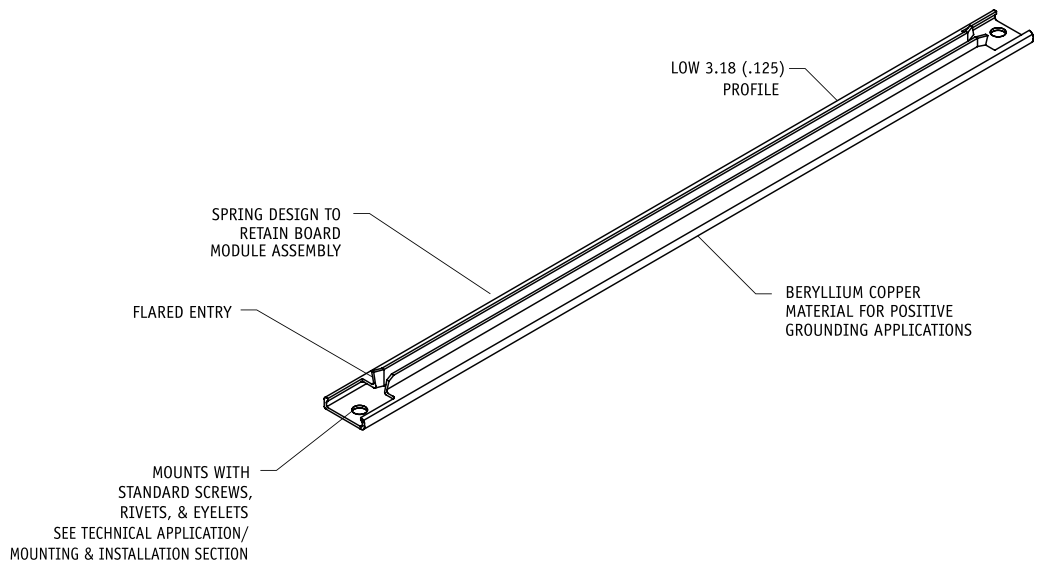
MATERIALS AND FINISH

Material:

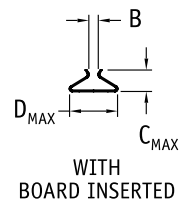
.15 (.006) Beryllium
Copper per ASTM B-194

Finish:

See finish table on
opposite page



Units: mm(in)
unless specified otherwise,
.xx = $\pm .25$, .x = $\pm .5$
(.xxx = $\pm .010$, .xx = $\pm .02$)



MATERIALS TABLE

CODE LETTER	MATERIAL
B	BERYLLIUM COPPER, 1/4H PER ASTM-B-194
BH	BERYLLIUM COPPER, 1/4HT PER QQ-C-533, HEAT TREATED

DIMENSION TABLE

DASH #	BOARD THICKNESS	C MAX	D MAX	E
-1	0.79 (.031)	3.30 (.130)	4.83 (.190)	2.42 (.095)
-2	1.59 (.063)	3.30 (.130)	4.83 (.190)	2.42 (.095)
-3	2.38 (.094)	3.30 (.130)	5.08 (.200)	2.54 (.100)
-4	3.18 (.125)	3.30 (.130)	5.33 (.210)	2.67 (.105)

FINISH TABLE

DASH #	FINISH
[blank]	SILVER PLATE PER QQ-S-365, TYPE III, GRADE A
-1	NONE
-3	CADMIUM PER QQ-P-416, TYPE 2, CLASS 2
-4	COPPER PLATE PER MIL-C-14550, CLASS 2
-5	GOLD PLATE PER MIL-G-45204, TYPE 1, GLASS 1
-6	NICKEL PLATE PER QQ-N-290, CLASS 1, GRADE G, BRIGHT
-7	ZINC PLATE CLEAR CHROMATE, PER ASTM-B-633, Fe/Zn 8
-8	ZINC PLATE YELLOW CHROMATE, PER ASTM-B-633, Fe/Zn 8

Part Number Code

Series 21 PCB-TAINER

ZB- 21 B - 2 - 10 - 5

Material

Beryllium Copper _____ B
or select from Materials Table

Board Thickness

1.59 (.063) PCB Thickness _____ 2
or select from Dimension Table

Length

Length in 12.7 (.50) increments _____ 2 [25.4 (1.00)]
_____ to 12 [152.4 (6.00)]

Finish

Gold Plate _____ 5
or select from Finish Table

Part Number Code example: 21B-3-10-6

21 Series PCB-TAINER, Beryllium Copper, for 2.39-mm (.094 in.) thick board, 127.0 (5.00 in.) long, Nickel Plate finish