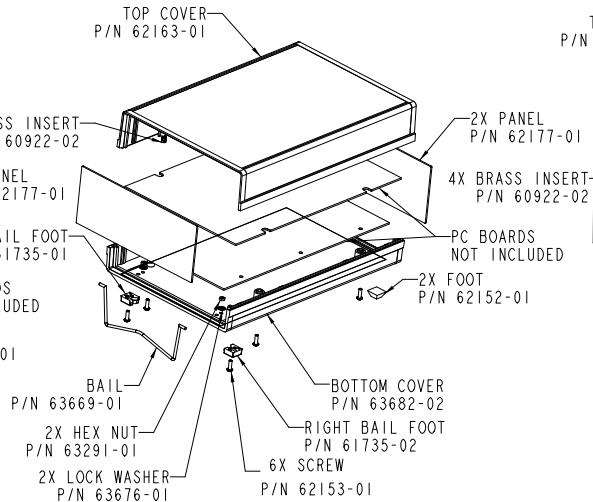
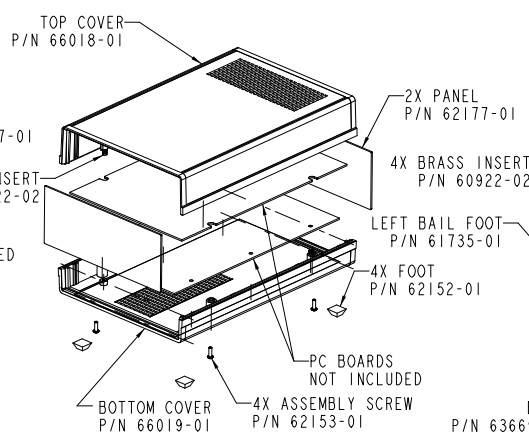


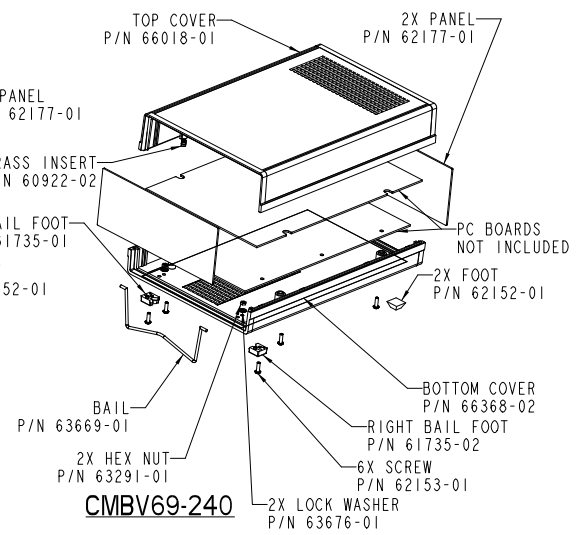
**CM69-240**



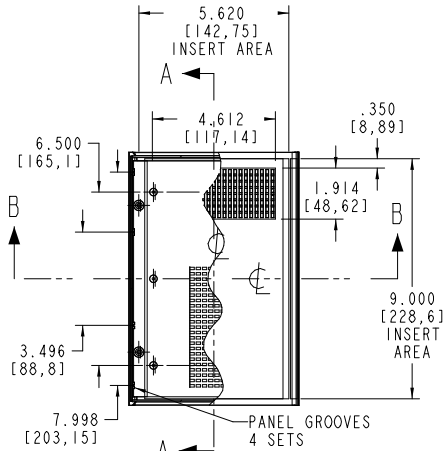
**CMB69-240**



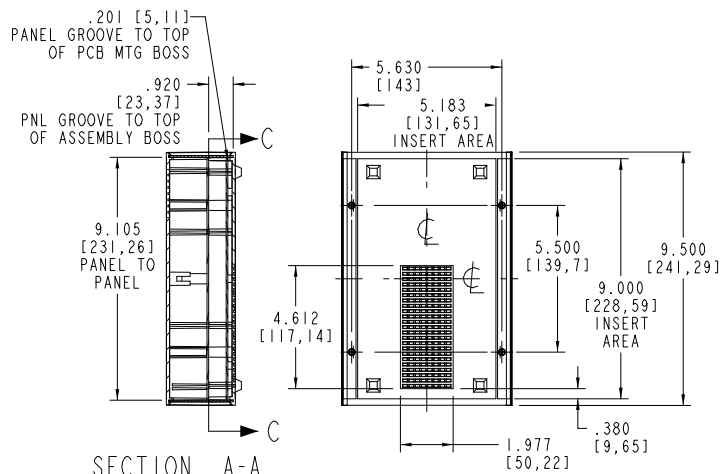
**CMV69-240**



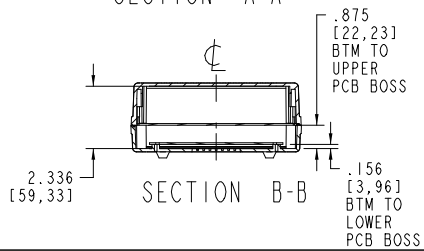
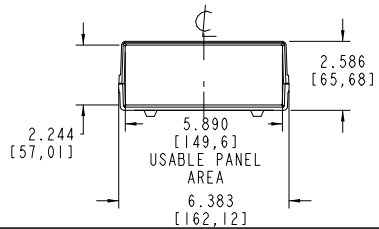
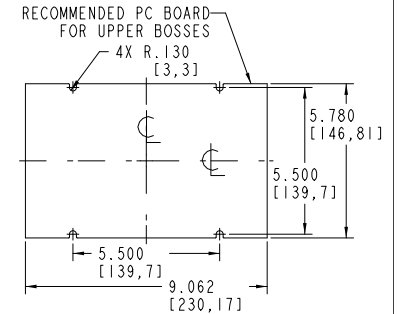
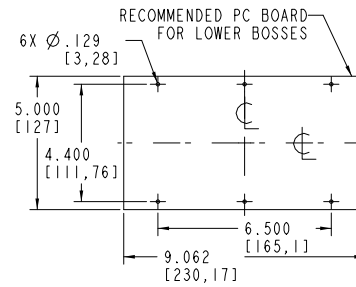
**CMBV69-240**



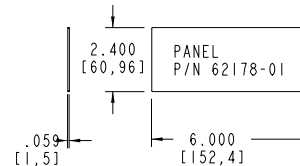
**SECTION C-C**



**SECTION A-A**



**SECTION B-B**



**PACNTEC®**  
1-610-361-4200

**CM69-240, CMB69-240**  
**CMV69-240, CMBV69-240**

VISIT **PACNTEC®**  
ON THE WORLD WIDE WEB  
[www.pactecenclosures.com](http://www.pactecenclosures.com)

COLOR / MATERIAL CODE	
COLOR	94HB 94YO
BLACK	000 028
P.C.BONE	039 060

DRAWING NUMBER	REV
79395	D